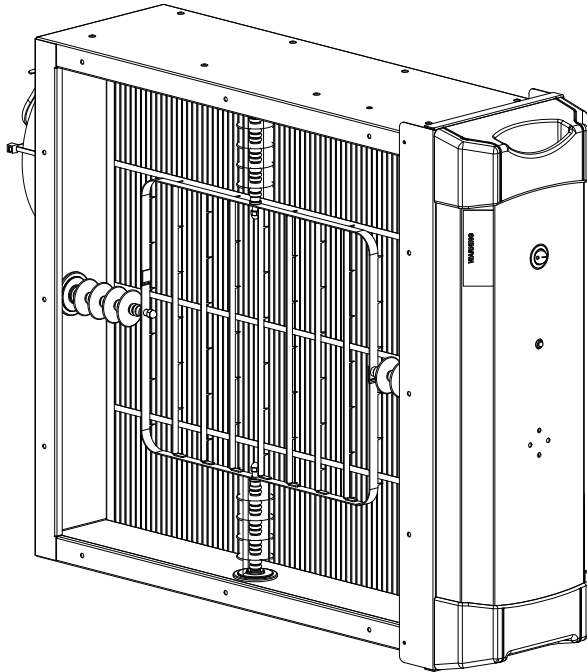


DGAPAXX
Germicidal Air Purifier
Sizes 1620, 1625, 2020, 2025, 2420



Product Data



A11332



The Côr® Air Purifier is designed for use in the return air duct of a forced air heating, cooling, and ventilation system.

It combines superior filtration efficiency, MERV 15, with pathogen-killing technology to deliver maximum air purification.

The Côr® Air Purifier is designed to require minimal maintenance. Maintenance is limited to the replacement of the air purification cartridge and inspection/brush cleaning of the ionization array. Frequency of air purifier cartridge replacement and cleaning of the ionization array may vary depending on ductwork design and local environmental conditions.

FEATURES / BENEFITS

Filtration Performance—High efficiency MERV 15.

Germicidal Performance — 96% germicidal/deactivation of human influenza virus, common cold virus and streptococcus bacteria.

Simple—Virtually no cleaning required. Simply change purifier cartridge periodically.

Easy to Install—Five distinct cabinet sizes help to ensure a perfect fit to the bottom and side of most fan coils and furnaces. Includes power cords.

Application Possibilities—Unit can be installed in a horizontal or vertical position, which makes it equally adaptable to horizontal, downflow, or standard upflow applications.

Solid-State Power Supply—Power supply is a highly reliable, dual voltage compatible, state-of-the-art, solid-state device.

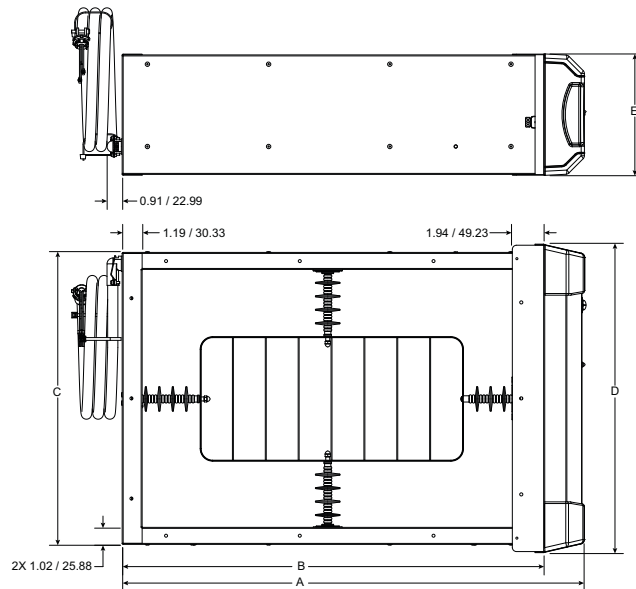
Durable Cabinet—Heavy-gauge steel cabinet supports up to 400 lb when installed beneath a fan coil.

Agency Listed—Model DGAP Air Purifier is UL (Canada and US) listed.

Financing—Eligible for consumer financing program.

SPECIFICATIONS AND DIMENSIONS

SPECIFICATIONS	DGAPAXX1620	DGAPAXX1625	DGAPAXX2020	DGAPAXX2025	DGAPAXX2420
Filtration Efficiency	MERV 15				
Electrical	Dual voltage power supply 115/60/1, 208–230/60/1 built into door. 6 ft. conduit with (3) 18AWG wires with quick connect terminals				
Germicidal Performance	96% Germicidal / inactivation for human influenza virus, common cold virus, streptococcus bacteria				
Cabinet & Color	G60 steel, Granite Grey, RoHS compliant				
Maximum Air Flow, CFM [LPS]	1200 [566]	1400 [661]	1400 [661]	1750 [826]	1750 [826]
Initial press. drop with clean filter CFM [LPS]	In. wg [pa]				
400 [189]	0.05 [12]	0.03 [8]	0.04 [10]	0.03 [8]	0.04 [10]
600 [283]	0.08 [21]	0.06 [15]	0.07 [17]	0.05 [13]	0.06 [16]
800 [378]	0.13 [33]	0.10 [24]	0.10 [26]	0.08 [20]	0.09 [23]
1000 [472]	0.19 [47]	0.14 [35]	0.14 [35]	0.11 [26]	0.12 [30]
1200 [566]	0.26 [64]	0.19 [48]	0.18 [46]	0.14 [34]	0.15 [38]
1400 [661]		0.25 [63]	0.23 [58]	0.17 [43]	0.19 [47]
1600 [755]				0.21 [52]	0.22 [56]
Dust Holding Capacity @ 0.5 in wg at maximum airflow (grams ASHRAE Dust)	36	37	38	39	39
Replacement Filter Part Number (2–pk)	PGAPXCAR1620–A02	PGAPXCAR1625–A02	PGAPXCAR2020–A02	PGAPXCAR2025–A02	PGAPXCAR2420–A02
Replacement Filter Dimensions Inches [cm]	17.3 x 21.9 x 2.6 [44 x 56 x 7]	17.3 x 24.9 x 2.6 [44 x 63 x 7]	21.0 x 21.9 x 2.6 [53 x 56 x 7]	21.0 x 24.9 x 2.6 [53 x 63 x 7]	24.5 x 21.9 x 2.6 [62 x 56 x 7]
Filter Media Surface Area Sq. Ft. [Sq. Meter]	44.8 [4.1]	50.8 [4.7]	54.5 [5.1]	61.2 [5.7]	63.6 [5.9]
Safety Screen Accessory Part Number	KIT172000	KIT170000	KIT173000	KIT171000	KIT174000
Safety Screen Dimensions Inches [cm]	17.49 x 21.40 x 1.75 [44.4 x 54.4 x 4.4]	17.49 x 24.40 x 1.75 [44.4 x 62.0 x 4.4]	21.19 x 21.40 x 1.75 [53.8 x 54.4 x 4.4]	21.19 x 24.40 x 1.75 [53.8 x 62.0 x 4.4]	24.69 x 21.40 x 1.75 [62.7 x 54.4 x 4.4]
Air Flow Sensor Part Number	Included	KIT160000	Included	KIT160000	Included
Flow Sensor Bypass	KIT161000	Included	KIT161000	Included	KIT161000
Weight– shipping, Lbs [kg]	30 [14]	27 [12]	26 [12]	32 [15]	29 [13]



A11334

A11334

UNIT	1625	2025	1620	2020	2420
A	27.68–in / 703mm		24.68–in / 626mm		
B	25.28–in / 642mm		22.28–in / 565mm		
C	17.49–in / 444mm	21.19–in / 538mm	17.49–in / 444mm	21.19–in / 538mm	24.69–in / 627mm
D	18.48–in / 469mm	22.18–in / 563mm	18.48–in / 469mm	22.18–in / 563mm	25.68–in / 652mm
E	7.25–in / 184mm				